

# Application Note for SFM3000 Series Mass Flow Meters

## I<sup>2</sup>C Functional Description

### Summary

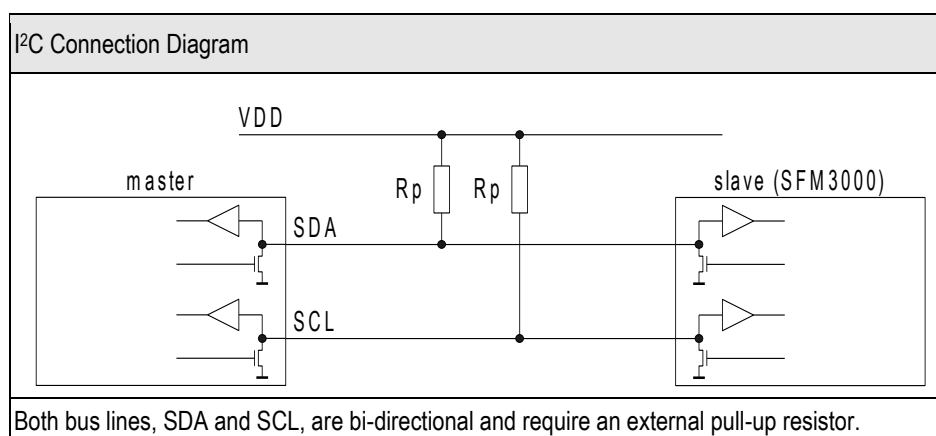
This document describes the communication with the SFM3000 Series Mass Flow Meters. Communication between a master and the SFM3000 series sensor runs via the digital I<sup>2</sup>C-interface. This document contains all essential commands and some basic descriptions of the SFM3000 series I<sup>2</sup>C protocol. For the detailed specifications please check the document "The I<sup>2</sup>C-Bus Specification" from NXP.

### 1. Interface connection

Bi-directional bus lines are implemented by the devices (master and slave) using open-drain output stages and a pull-up resistor ( $R_p$ ) connected to the positive supply voltage.

The recommended pull-up resistor value depends on the system setup, particularly on the capacitance of the circuit or cable and bus clock frequency. For quick prototyping a value of 10kOhm is a reasonable choice. Please refer to NXP's I<sup>2</sup>C bus specification in order to determine the optimal value.

The capacitive loads on SDA and SCL line have to be the same. It is important to avoid asymmetric capacitive loads. In case of long wires (>10cm) it is necessary to shield SDA and SCL. Wires longer than 30cm should not be used.



### 2. I<sup>2</sup>C Address

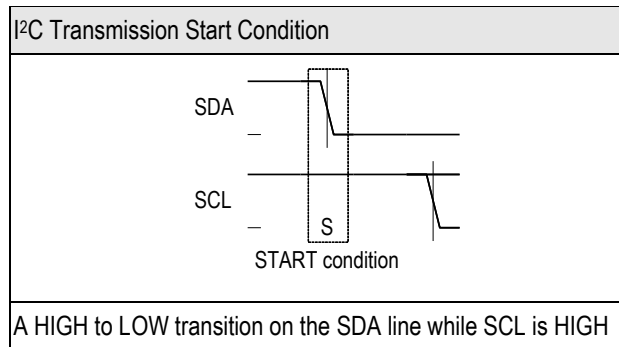
The I<sup>2</sup>C address is represented by a 7-digit binary value. By default, the I<sup>2</sup>C address is set to 64 (1000000b). The address is always followed by a write bit (0) or read bit (1). The default hexadecimal I<sup>2</sup>C header for read access to the sensor is therefore 0x81.

### 3. I<sup>2</sup>C communication

The I<sup>2</sup>C protocol consists of start and stop conditions at the beginning and ending of the transfers and a number of 8 bit frames in between, of which each frame is acknowledged in case of a successful transmission.

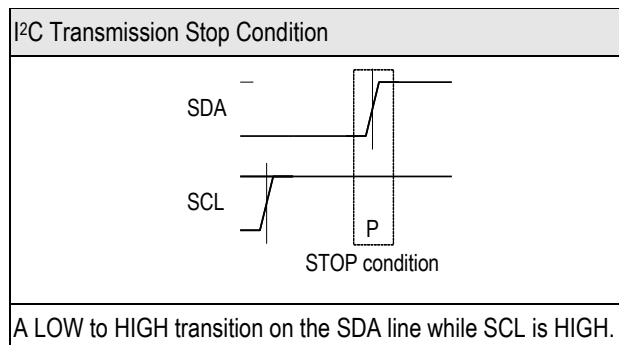
#### 3.1 Transmission START Condition (S)

The START condition is a unique situation on the bus created by the master, indicating to the slaves the beginning of a transmission sequence (the bus is considered busy after a START).



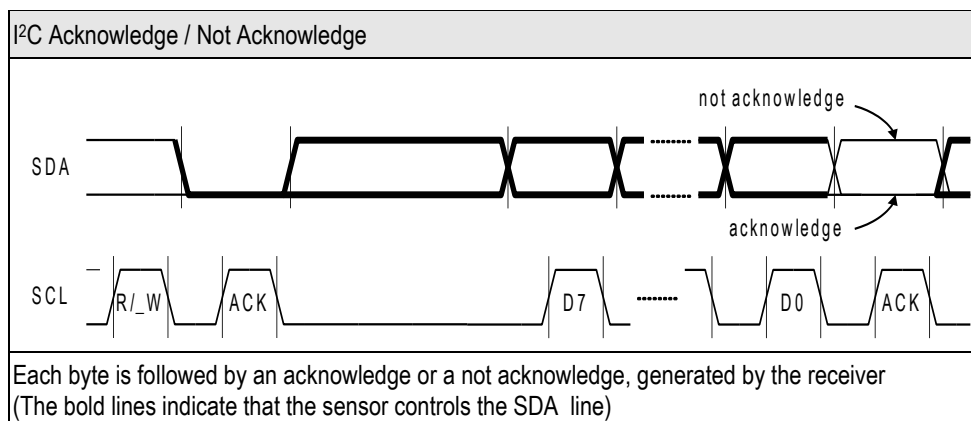
#### 3.2 Transmission STOP Condition (P)

The STOP condition is a unique situation on the bus created by the master, indicating to the slaves the end of a transmission sequence (the bus is considered free after a STOP).



#### 3.3 Acknowledge (ACK) / Not Acknowledge (NACK)

Each byte transmitted over the I<sup>2</sup>C bus is followed by an acknowledge condition from the receiver. This means that after the master pulls SCL low to complete the transmission of the 8th bit, SDA will be pulled low by the receiver during the 9th bit time. If after transmission of the 8th bit the receiver does not pull the SDA line low, this is considered to be a NACK condition.



### 3.4 Data transfer format

Data is transferred in byte packets in the I<sup>2</sup>C protocol. Each byte is followed by an acknowledge bit. Data is transferred with the most significant bit first.

A data transfer sequence is initiated by the master generating the Start condition (S) and sending a header byte. The I<sup>2</sup>C header consists of the 7-bit I<sup>2</sup>C device address and the data direction bit (R/W).

The value of the R/W bit in the header determines the data direction for the rest of the data transfer sequence. If R/W = 0 (WRITE) the direction remains master-to-slave, while if R/W = 1 (READ) the direction changes to slave-to-master after the header byte.

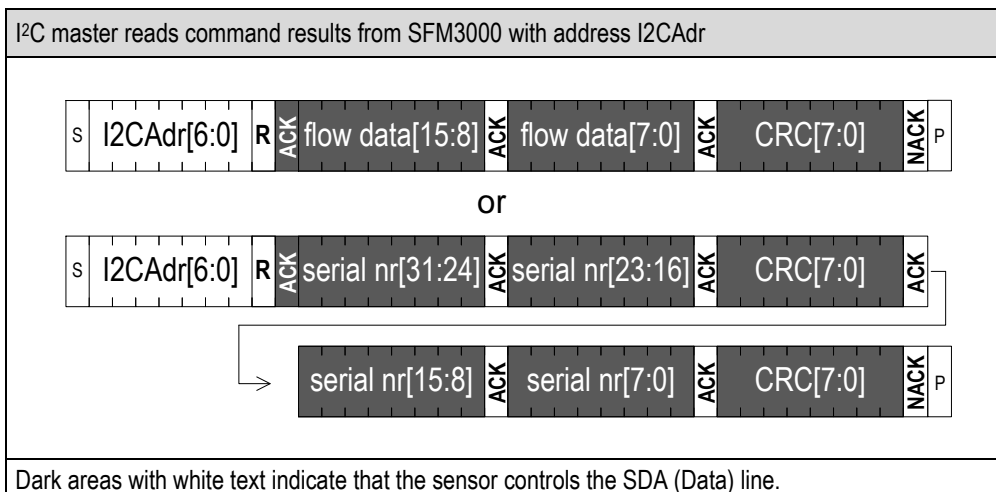
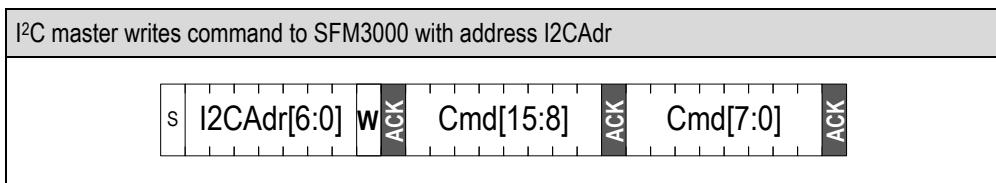
## 4. Command Set and Data Transfer Sequences

After a data transfer is initiated by a header byte with a Write, a command is sent to the slave. A command is represented by a 16-bit command code, consisting of two 8-bit frames. The data direction may not change after the command bytes, since the R/W bit of the preceding I<sup>2</sup>C header has already determined the direction to be master-to-slave. In order to execute Read commands, the following principle is used. On successful (acknowledged) receipt of the command code, the sensor stores the command internally. The Read part of this command is then invoked by initiating an I<sup>2</sup>C data transfer sequence with R/W = 1.

If a correctly addressed sensor recognizes a valid command and access to this command is granted, it responds by pulling down the SDA line during the subsequent SCL pulse for the acknowledge signal (ACK). Otherwise it leaves the SDA line unasserted (NACK).

The commands are described below, and the data transfer sequences are specified.

Command [16 bit]	Number of bytes to read back	Command Description	Comment
0x1000	2	Start continuous measurement and/or move internal pointer (back) to flow measurement result register	See chapter 4.1
0x31AE	4	Read Serial Number (bit 31:0)	See chapter 4.2
0x2000	NA	Soft reset command	See chapter 6



## 4.1 Measurement Triggering

Flow measurements are started by writing the start measurement command (0x1000) to the sensor. Measurement results are continuously updated until measurement is stopped by sending any other command. After a start measurement command, the measurement results can be read out continuously. This means that an I<sup>2</sup>C header with R/W bit = 1 can be sent continuously to read out those results, without preceding it with command 0x1000.

The measurement result register is set to invalid after being read and only set to valid again when a new measurement result is available. If no valid result available, the chip does not acknowledge a read.

The table below gives an example sequence with explanations for every command.

$\Delta$ time (ms)	I <sup>2</sup> C communication	Measuring?	Comment
0	-	No	Powering up of the sensor
100	80 <sub>a</sub> 10 <sub>a</sub> 00 <sub>a</sub>	→ Yes	After the sensor is out of reset, the start measurement command is sent
0.5	81 <sub>n</sub> FF <sub>a</sub> FF <sub>a</sub> FF <sub>n</sub>	Yes	First measurement result read out after chip reset is invalid
0.5	81 <sub>a</sub> F0 <sub>a</sub> 00 <sub>a</sub> CRC <sub>n</sub>	Yes	Valid measurement data is read out + CRC byte.
0.5	81 <sub>a</sub> F0 <sub>a</sub> 14 <sub>n</sub>	Yes	Updated flow value is read out. CRC is not read out.
0.4	81 <sub>n</sub>	Yes	No valid measurement data is ready yet. The read request is not acknowledged
0.1	81 <sub>a</sub> F0 <sub>a</sub> 28 <sub>a</sub> CRC <sub>n</sub>	Yes	New measurement data is available and read out.
1	80 <sub>a</sub> 31 <sub>a</sub> AE <sub>a</sub>	→ No	Send read serial number command
0.2	81 <sub>a</sub> 5A <sub>a</sub> D8 <sub>a</sub> CRC <sub>a</sub> 47 <sub>a</sub> 40 <sub>a</sub> CRC <sub>n</sub>	No	Read example serial number
0.3	80 <sub>a</sub> 10 <sub>a</sub> 00 <sub>a</sub>	→ Yes	Start measurement command is sent
0.5	81 <sub>a</sub> F0 <sub>a</sub> 00 <sub>a</sub> CRC <sub>n</sub>	Yes	Measurement data is read out + CRC byte.
Dark areas with white text indicate that the sensor controls the SDA (Data) line. An <sub>a</sub> indicates and ACK, an <sub>n</sub> indicates a NACK			

Note that if the supply drops below 4.75V and back, the sensor will perform a Power on Reset and will stop measuring. If the master keeps on sending read headers without resending the start measurement command, those read requests will not be acknowledged. It is advised to have a software routine that detects those NACKs and resends the start measurement command. If the sensor does not acknowledge the start measurement command, a hard reset is required.

## 4.2 Read Data Layout

Data that is read back from the Sensor consists of two or four bytes, with the most significant byte and bit read first. The least significant bit and byte are read last. The following maps give more details on the content of the different results:

### Read Flow Measurement Result

Bit	#Bits	Description/Coding
15:0	16	Flow measurement result. Bit <1:0> is always zero.

### Read Serial Number

Command	#Bits	Description/Coding
0x31AE	32	Bit 31:0 of the unique serial number

## 4.3 Converting measurement result to measured values

In order to obtain the measured flow in the predefined unit, the flow measurement result needs to be converted according to the following formula:

$$flow [slm] = \frac{measured\ value - offset\ flow}{scale\ factor\ flow}$$

Offset and scale factor can be found in the product datasheet.

Please note that the first measurement performed directly after chip initialization might not be valid.

## 5. CRC-8 Redundant Data Transmission

Cyclic redundancy checking (CRC) is a popular technique used for error detection in data transmission. The transmitter appends an n-bit checksum to the actual data sequence. The checksum holds redundant information about the data sequence and allows the receiver to detect transmission errors. The computed checksum can be regarded as the remainder of a polynomial division, where the dividend is the binary polynomial defined by the data sequence and the divisor is a "generator polynomial".

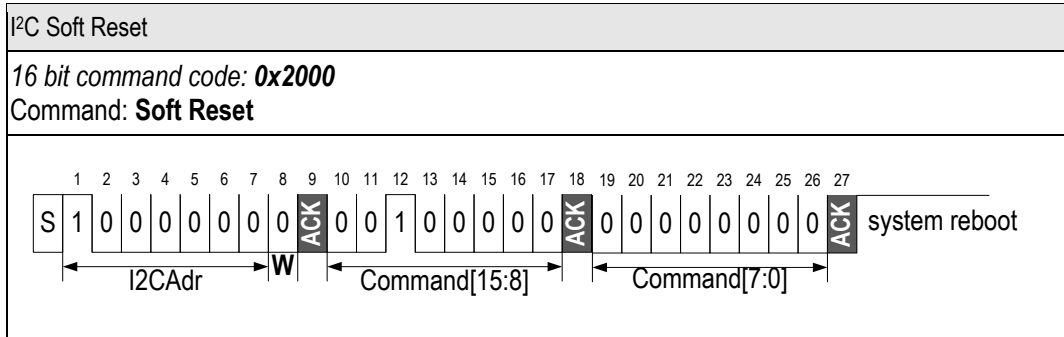
The SFM3000 sensor implements the CRC-8 standard based on the generator polynomial:  $x^8 + x^5 + x^4 + 1$ . (0x31)

Note that CRC is only used for data transmitted from the slave to the master.

For details regarding cyclic redundancy checking, please refer to the Application Note SFM3000 CRC Checksum on our website and the relevant literature.

## 6. Soft reset

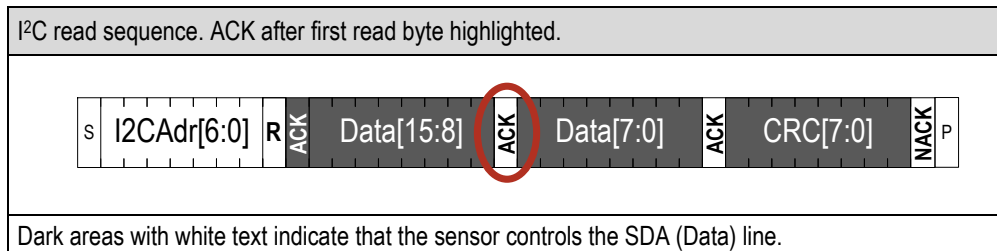
The soft reset command forces a sensor reset without switching the power off and on again. On receipt of this command, the sensor reinitializes the control/status register contents from the Non Volatile Memory and starts operating according to these settings.



## 7. Limitations

The I<sup>2</sup>C interface of the SFM3000 shows deviations from the NXP I<sup>2</sup>C specification and might lock up and cease to react (including to the soft reset command), under the following conditions:

- Glitches on the SCL.
- The master does not acknowledge the first byte read from the sensor after having sent the header byte (I<sup>2</sup>C address + R bit). The critical acknowledge bit is highlighted below.



To avoid these phenomena from occurring it is essential to take the following precautions:

- The cable length from the sensor to the microprocessor is recommended to be as short as possible and certainly not longer than 30 cm. For wires longer than 10 cm the SDA and SCL must be shielded. Sources that emit electromagnetic radiation must be kept away from the I<sup>2</sup>C connection.
- When data is read from the sensor, one must ensure that the first data byte of the transaction is always acknowledged by the master.
- It must be possible to reset the sensor through a hard reset, i.e. powering off and on the sensor, in case the sensor freezes.

## 8. Revision history

<i>Date</i>	<i>Author</i>	<i>Version</i>	<i>Changes</i>
July 2013	ANB	1	First release
July 2015	ANB	1.1	Added Read Serial Number Command. Minor changes.

## Headquarters and Subsidiaries

SENSIRION AG  
Laubisruetistr. 50  
CH-8712 Staefa ZH  
Switzerland

phone: +41 44 306 40 00  
fax: +41 44 306 40 30  
[info@sensirion.com](mailto:info@sensirion.com)  
[www.sensirion.com](http://www.sensirion.com)

Sensirion AG (Germany)  
phone: +41 44 927 11 66  
[info@sensirion.com](mailto:info@sensirion.com)  
[www.sensirion.com](http://www.sensirion.com)

Sensirion Inc., USA  
phone: +1 805 409 4900  
[info\\_us@sensirion.com](mailto:info_us@sensirion.com)  
[www.sensirion.com](http://www.sensirion.com)

Sensirion Japan Co. Ltd.  
phone: +81 3 3444 4940  
[info@sensirion.co.jp](mailto:info@sensirion.co.jp)  
[www.sensirion.co.jp](http://www.sensirion.co.jp)

Sensirion Korea Co. Ltd.  
phone: +82 31 337 7700 3  
[info@sensirion.co.kr](mailto:info@sensirion.co.kr)  
[www.sensirion.co.kr](http://www.sensirion.co.kr)

Sensirion China Co. Ltd.  
phone: +86 755 8252 1501  
[info@sensirion.com.cn](mailto:info@sensirion.com.cn)  
[www.sensirion.com.cn](http://www.sensirion.com.cn)

To find your local representative, please visit [www.sensirion.com/contact](http://www.sensirion.com/contact)